

# 1.03 Mica Capacitors: Type 291-294

## Mica Capacitor Products

### Advantages & Benefits

- Designed for frequencies ranging from 100 kHz to 3 MHz
- Well-suited for high current and voltage circuits like radio transmitters
- Highly shock resistant

### Specifications

Capacitance Range: 47 pF to 0.1  $\mu$ F  
 Capacitance Tolerance:  $\pm$  5% (J)

Voltage Range: 1 to 30 kV peak  
 Temperature Range: -55°C to +125°C



### Part Number Breakdown

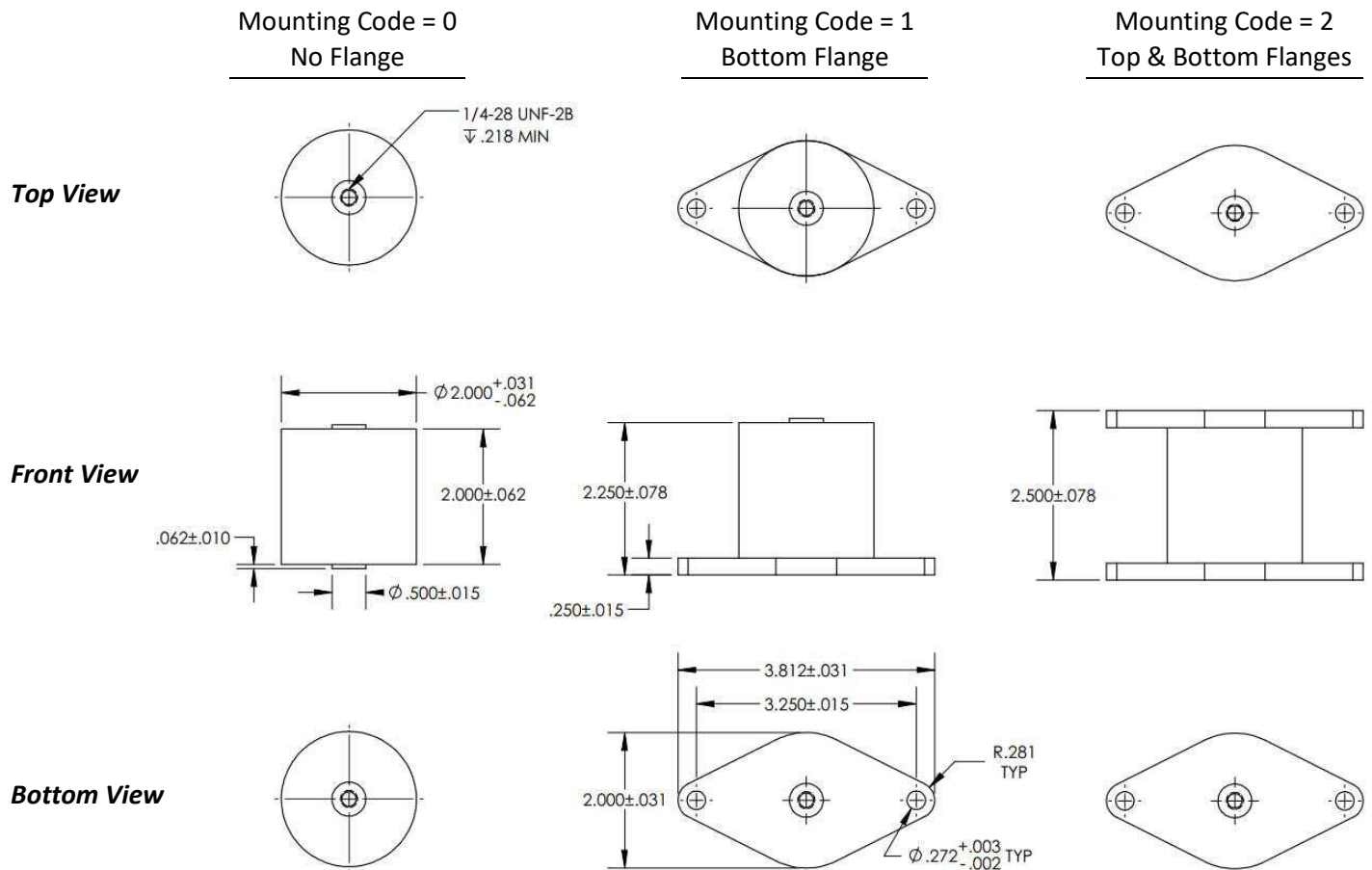
Kintronic Labs offers a wide array of Mica capacitor options. Based on your design criteria, use the part number configuration code to determine what is needed for your application. If you cannot find something to meet your needs, please contact the factory to discuss additional options as needed.

Example Part No.	291	30	B	470	J	0	2
<b>Type:</b> 291, 292, 293, 294	[Diagram showing a line connecting 291 to the Type field]						
<b>Rated Peak Voltage:</b> 10 = 1000 30 = 3000 250 = 25000	[Diagram showing a line connecting 30 to the Rated Peak Voltage field]						
<b>Characteristic:</b> B (Standard)	[Diagram showing a line connecting B to the Characteristic field]						
<b>Capacitance:</b> 470 = 47pF 361 = 360pF 122 = 1200pF	[Diagram showing a line connecting 470 to the Capacitance field]						
<b>Cap Tolerance:</b> J (Standard +/- 5%)	[Diagram showing a line connecting J to the Cap Tolerance field]						
<b>Temp Range:</b> 0 = -55°C to +125°C	[Diagram showing a line connecting 0 to the Temp Range field]						
<b>Mounting Style:</b> 0 = No Plate 1 = Plate Bottom 2 = Plate Top/Bottom	[Diagram showing a line connecting 2 to the Mounting Style field]						

# 1.03 Mica Capacitors: Type 291-294

## 291 Series – Mounting and Dimensions

Please use the information provided below for mounting and installation. As noted in the part number, three mounting flange options exist. Please specify the correct flange style at time of ordering. Part numbers listed in the rating section are shown with mounting code 2. If alternate mounting methods are required, please specify the correct number at the time of order.



# 1.03 Mica Capacitors: Type 291-294

## 291 Series - Ratings and Standard Part Numbers

Last Digit in Part Number Shown with Top/Bottom Mounting Flanges. If alternate mounting is required, please specify at time of order.

Capacitance		KTL Part Number	Maximum AC Current at 65 °C			
(pF)	(μF)		3 MHz (Amps)	1 MHz (Amps)	300 kHz (Amps)	100 kHz (Amps)
<b>1,000 Peak Volts</b>						
75000	0.075	29110B753J02	18	22	22	16
82000	0.082	29110B823J02	18	22	22	16
91000	0.091	29110B913J02	18	22	22	16
100000	0.100	29110B104J02	18	22	22	18
<b>1,500 Peak Volts</b>						
30000	0.030	29115B303J02	18	22	18	12
33000	0.033	29115B333J02	18	22	20	13
36000	0.036	29115B363J02	18	22	20	13
39000	0.039	29115B393J02	18	22	20	13
43000	0.043	29115B433J02	18	22	22	13
47000	0.047	29115B473J02	18	22	22	15
51000	0.051	29115B513J02	18	22	22	15
56000	0.056	29115B563J02	18	22	22	15
62000	0.062	29115B623J02	18	22	22	16
68000	0.068	29115B683J02	18	22	22	16
<b>2,000 Peak Volts</b>						
18000	0.018	29120B183J02	18	20	16	11
20000	0.020	29120B203J02	18	22	18	11
22000	0.022	29120B223J02	18	22	18	11
24000	0.024	29120B243J02	18	22	18	12
27000	0.027	29120B273J02	18	22	18	12
<b>3,000 Peak Volts</b>						
12000	0.012	29130B123J02	18	20	16	9.1
13000	0.013	29130B133J02	18	20	16	10
15000	0.015	29130B153J02	18	20	16	10
16000	0.016	29130B163J02	18	20	16	10
<b>4,000 Peak Volts</b>						
5100	0.005	29140B512J02	16	16	12	6.2
5600	0.006	29140B562J02	16	18	13	6.8
6000	0.006	29140B602J02	16	18	13	7.5
6200	0.006	29140B622J02	16	18	13	7.5
6800	0.007	29140B682J02	16	18	13	7.5
7500	0.008	29140B752J02	18	18	13	7.5
8200	0.008	29140B822J02	18	20	15	8.2
9100	0.009	29140B912J02	18	20	15	8.2
10000	0.010	29140B103J02	18	20	15	9.1
11000	0.011	29140B113J02	18	20	15	9.1

# 1.03 Mica Capacitors: Type 291-294

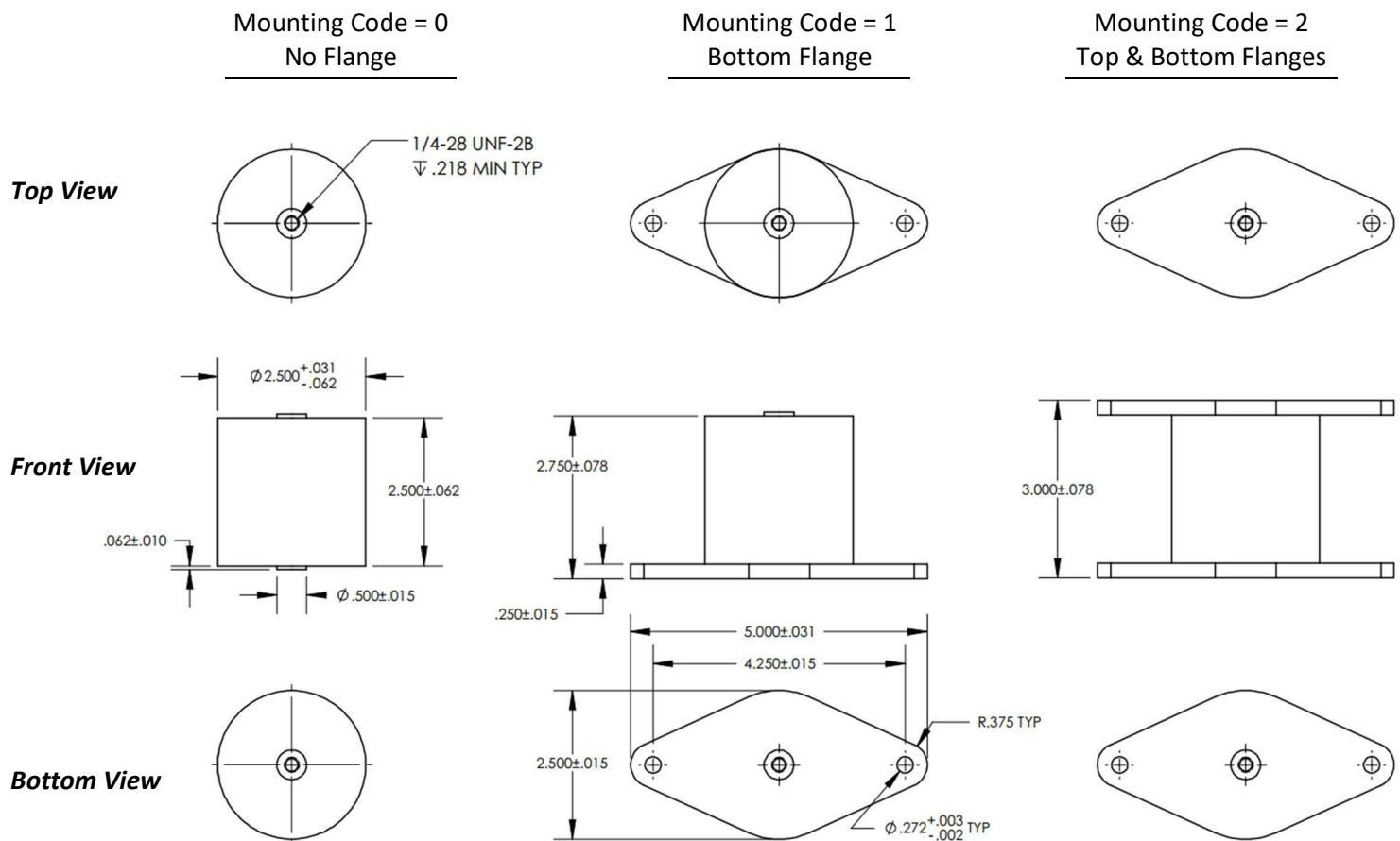
6,000 Peak Volts						
47	0.000047	29160B470J02	2	1.2	0.5	0.2
50	0.000050	29160B502J02	2	1.3	0.6	0.2
51	0.000051	29160B510J02	2	1.3	0.6	0.2
56	0.000056	29160B560J02	2.2	1.3	0.6	0.2
62	0.000062	29160B620J02	2.2	1.5	0.6	0.2
68	0.000068	29160B680J02	2.4	1.5	0.7	0.2
75	0.000075	29160B750J02	2.4	1.6	0.7	0.2
82	0.000082	29160B820J02	2.7	1.8	0.8	0.2
91	0.000091	29160B910J02	2.7	1.8	0.9	0.3
100	0.00010	29160B101J02	3	2	0.9	0.3
110	0.00011	29160B111J02	3	2.2	1	0.3
120	0.00012	29160B121J02	3.3	2.2	1	0.3
130	0.00013	29160B131J02	3.3	2.4	1.1	0.4
150	0.00015	29160B151J02	3.6	2.4	1.2	0.4
160	0.00016	29160B161J02	3.9	2.7	1.3	0.4
180	0.00018	29160B181J02	4.3	3	1.5	0.5
200	0.00020	29160B201J02	4.3	3	1.5	0.5
220	0.00022	29160B221J02	4.7	3.3	1.6	0.6
240	0.00024	29160B241J02	4.7	3.6	1.8	0.6
270	0.00027	29160B271J02	5.1	3.6	2	0.6
300	0.00030	29160B301J02	5.1	3.9	2	0.7
330	0.00033	29160B331J02	5.6	4.3	2.2	0.8
360	0.00036	29160B361J02	6.2	4.3	2.4	0.8
390	0.00039	29160B391J02	6.2	4.7	2.7	0.8
400	0.00040	29160B401J02	6.2	4.7	2.7	0.8
430	0.00043	29160B431J02	6.8	4.7	2.7	0.8
470	0.00047	29160B471J02	6.8	5.1	3	0.9
500	0.00050	29160B501J02	6.8	5.1	3	1
510	0.00051	29160B511J02	6.8	5.1	3	1
560	0.00056	29160B561J02	7.5	5.6	3.3	1.1
620	0.00062	29160B621J02	8.2	6.2	3.6	1.2
680	0.00068	29160B681J02	8.2	6.2	3.9	1.3
750	0.00075	29160B751J02	8.2	6.8	3.9	1.5
820	0.00082	29160B821J02	9.1	6.8	4.3	1.5
910	0.00091	29160B911J02	9.1	7.5	4.7	1.6
1000	0.0010	29160B102J02	10	7.5	5.1	1.8
1100	0.0011	29160B112J02	10	8.2	5.1	2
1200	0.0012	29160B122J02	11	8.2	5.6	2.2
1300	0.0013	29160B132J02	11	9.1	6.2	2.2
1500	0.0015	29160B152J02	12	9.1	6.2	2.4
1600	0.0016	29160B162J02	12	10	6.8	2.7
1800	0.0018	29160B182J02	13	11	7.5	3.0
2000	0.0020	29160B202J02	13	11	7.5	3.3

# 1.03 Mica Capacitors: Type 291-294

2200	0.0022	29160B222J02	13	12	8.2	3.6
2400	0.0024	29160B242J02	15	13	9.1	3.9
2700	0.0027	29160B272J02	15	13	9.1	3.9
3000	0.0030	29160B302J02	15	13	9.1	4.3
3300	0.0033	29160B332J02	15	15	10	4.7
3600	0.0036	29160B362J02	16	15	11	5.1
3900	0.0039	29160B392J02	16	15	11	5.6
4000	0.0040	29160B402J02	16	15	11	5.6
4300	0.0043	29160B432J02	16	15	11	5.6
4700	0.0047	29160B472J02	16	16	12	6.2
5000	0.0050	29160B502J02	16	16	12	6.2

## 292 Series – Mounting and Dimensions

Please use the information provided below for mounting and installation. As noted in the part number, three mounting flange options exist. Please specify the correct flange style at time of ordering. Part numbers listed in the rating section are shown with mounting code 2. If alternate mounting methods are required, please specify the correct number at the time of order.



# 1.03 Mica Capacitors: Type 291-294

## 292 Series - Ratings and Standard Part Numbers

Last Digit in Part Number Shown with Top/Bottom Mounting Flanges. If alternate mounting is required, please specify at time of order.

Capacitance		KTL Part Number	Maximum AC Current at 65 °C			
(pF)	(µF)		3 MHz (Amps)	1 MHz (Amps)	300 kHz (Amps)	100 kHz (Amps)
<b>1,500 Peak Volts</b>						
75000	0.075	29215B753J02	20	39	33	20
82000	0.082	29215B823J02	20	39	33	20
91000	0.091	29215B913J02	20	39	33	20
100000	0.100	29215B104J02	20	39	36	20
<b>2,000 Peak Volts</b>						
30000	0.030	29220B303J02	20	33	24	15
33000	0.033	29220B333J02	20	33	24	15
36000	0.036	29220B363J02	20	33	27	16
39000	0.039	29220B393J02	20	36	27	16
43000	0.043	29220B433J02	20	36	27	16
47000	0.047	29220B473J02	20	36	27	18
51000	0.051	29220B513J02	20	36	30	18
56000	0.056	29220B563J02	20	36	30	18
62000	0.062	29220B623J02	20	39	30	18
68000	0.068	29220B683J02	20	39	33	20
<b>3,000 Peak Volts</b>						
18000	0.018	29230B183J02	20	30	20	12
20000	0.020	29230B203J02	20	30	22	13
22000	0.022	29230B223J02	20	30	22	13
24000	0.024	29230B243J02	20	33	24	13
27000	0.027	29230B273J02	20	33	24	13
<b>4,000 Peak Volts</b>						
12000	0.012	29240B123J02	20	27	18	10
13000	0.013	29240B133J02	20	27	20	10
15000	0.015	29240B153J02	20	27	20	11
16000	0.016	29240B163J02	20	27	20	11
<b>5,000 Peak Volts</b>						
5600	0.006	29250B562J02	20	20	13	6.8
6000	0.006	29250B602J02	20	22	15	6.8
6200	0.006	29250B622J02	20	22	15	6.8
6800	0.007	29250B682J02	20	22	15	7.5
7500	0.008	29250B752J02	20	22	15	7.5
8200	0.008	29250B822J02	20	24	16	8.2
9100	0.009	29250B912J02	20	24	16	8.2
10000	0.010	29250B103J02	20	24	18	9.1
11000	0.011	29250B113J02	20	27	18	9.1

# 1.03 Mica Capacitors: Type 291-294

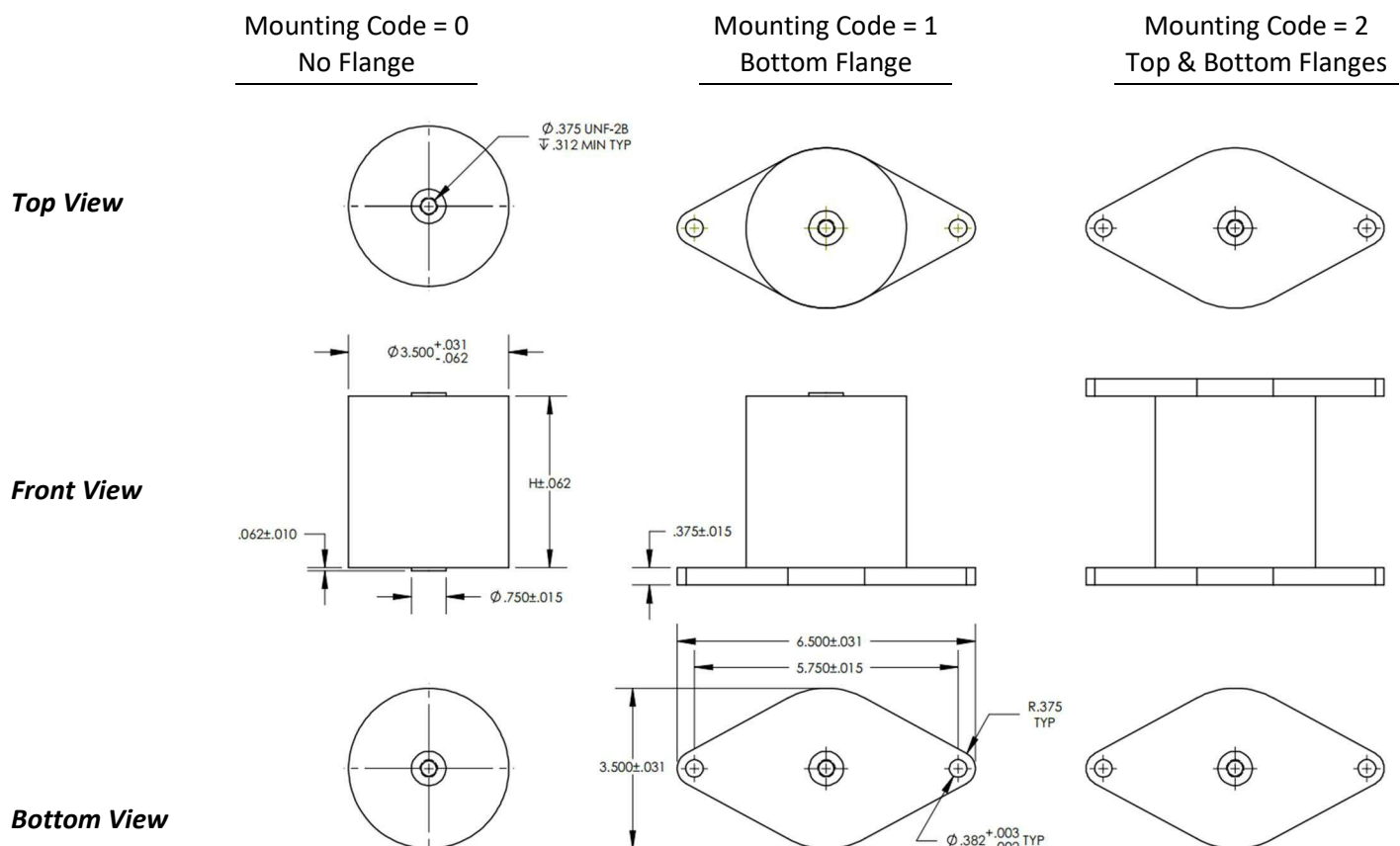
6,000 Peak Volts						
4700	0.0047	29260B472J02	20	20	13	6.2
5000	0.0050	29260B502J02	20	20	13	6.2
5100	0.0051	29260B512J02	20	20	13	6.2
8,000 Peak Volts						
2200	0.0022	29280B222J02	18	13	9.1	3.9
2400	0.0024	29280B242J02	18	15	10	4.3
2700	0.0027	29280B272J02	18	15	10	4.3
3000	0.0030	29280B302J02	18	16	10	4.7
3300	0.0033	29280B332J02	20	16	11	4.7
3600	0.0036	29280B362J02	20	18	11	5.1
3900	0.0039	29280B392J02	20	18	12	5.6
4000	0.0040	29280B402J02	20	18	12	5.6
4300	0.0043	29280B432J02	20	18	12	5.6
10,000 Peak Volts						
47	0.000047	292100B470J02	2.7	2	0.9	0.3
51	0.000051	292100B510J02	2.7	2	1	0.3
56	0.000056	292100B560J02	3	2.2	1	0.3
62	0.000062	292100B620J02	3.3	2.2	1.1	0.3
68	0.000068	292100B680J02	3.3	2.4	1.2	0.3
75	0.000075	292100B750J02	3.6	2.4	1.2	0.4
82	0.000082	292100B820J02	3.6	2.7	1.3	0.4
91	0.000091	292100B910J02	3.9	2.7	1.5	0.4
100	0.00010	292100B101J02	4.3	3	1.5	0.5
110	0.00011	292100B111J02	4.3	3	1.6	0.5
120	0.00012	292100B121J02	4.7	3.3	1.6	0.6
130	0.00013	292100B131J02	4.7	3.6	1.8	0.6
150	0.00015	292100B151J02	5.1	3.6	1.8	0.6
160	0.00016	292100B161J02	5.1	3.9	2	0.8
180	0.00018	292100B181J02	5.6	4.3	2.2	0.8
200	0.00020	292100B201J02	6.2	4.3	2.4	0.8
220	0.00022	292100B221J02	6.2	4.7	2.4	0.9
240	0.00024	292100B241J02	6.8	5.1	2.7	1.0
250	0.00025	292100B251J02	6.8	5.1	2.7	1.0
270	0.00027	292100B271J02	6.8	5.1	2.7	1.0
300	0.00030	292100B301J02	7.5	5.6	3	1.1
330	0.00033	292100B331J02	7.5	5.6	3	1.2
360	0.00036	292100B361J02	8.2	6.2	3.6	1.2
390	0.00039	292100B391J02	8.2	6.2	3.6	1.3
430	0.00043	292100B431J02	9.1	6.2	3.6	1.3
470	0.00047	292100B471J02	9.1	6.8	3.9	1.5
500	0.00050	292100B501J02	9.1	6.8	3.9	1.6
510	0.00051	292100B511J02	9.1	6.8	3.9	1.6
560	0.00056	292100B561J02	10	7.5	4.3	1.6

# 1.03 Mica Capacitors: Type 291-294

620	0.00062	292100B621J02	11	8.2	4.7	1.8
680	0.00068	292100B681J02	11	8.2	4.7	1.8
750	0.00075	292100B751J02	11	8.2	5.1	2.0
820	0.00082	292100B821J02	12	9.1	5.1	2.2
910	0.00091	292100B911J02	12	9.1	5.6	2.2
1000	0.0010	292100B102J02	12	10	6.2	2.4
1100	0.0011	292100B112J02	13	10	6.2	2.7
1200	0.0012	292100B122J02	15	11	6.8	2.7
1300	0.0013	292100B132J02	15	11	6.8	2.7
1500	0.0015	292100B152J02	15	12	7.5	3.0
1600	0.0016	292100B162J02	16	12	7.5	3.3
1800	0.0018	292100B182J02	16	13	8.2	3.6
2000	0.0020	292100B202J02	16	13	8.2	3.6

## 293 Series – Mounting and Dimensions

Please use the information provided below for mounting and installation. As noted in the part number, three mounting flange options exist. Please specify the correct flange style at time of ordering. Part numbers listed in the rating section are shown with mounting code 2. If alternate mounting methods are required, please specify the correct number at the time of order.





# 1.03 Mica Capacitors: Type 291-294

## 293 Series - Ratings and Standard Part Numbers

Last Digit in Part Number Shown with Top/Bottom Mounting Flanges. If alternate mounting is required, please specify at time of order.

Capacitance		KTL Part Number	Maximum AC Current at 65 °C				Case Height (In)
(pF)	(μF)		3 MHz (Amps)	1 MHz (Amps)	300 kHz (Amps)	100 kHz (Amps)	
<b>2,000 Peak Volts</b>							
75000	0.075	29320B753J02	24	51	39	24	2.50
82000	0.082	29320B823J02	24	51	39	24	2.50
91000	0.091	29320B913J02	24	51	39	24	2.75
100000	0.100	29320B104J02	24	51	39	24	2.75
<b>3,000 Peak Volts</b>							
27000	0.027	29330B273J02	24	51	33	18	2.50
30000	0.030	29330B303J02	24	51	33	20	2.50
33000	0.033	29330B333J02	24	51	33	20	2.50
36000	0.036	29330B363J02	24	51	36	22	2.50
39000	0.039	29330B393J02	24	51	36	22	2.50
43000	0.043	29330B433J02	24	51	36	22	2.50
47000	0.047	29330B473J02	24	51	36	22	2.50
51000	0.051	29330B513J02	24	51	36	24	2.75
56000	0.056	29330B563J02	24	51	36	24	2.75
62000	0.062	29330B623J02	24	51	39	24	3.00
68000	0.068	29330B683J02	24	51	39	24	3.00
<b>5,000 Peak Volts</b>							
12000	0.012	29350B123J02	24	43	27	13	2.50
13000	0.013	29350B133J02	24	43	27	13	2.50
15000	0.015	29350B153J02	24	43	27	15	2.50
16000	0.016	29350B163J02	24	47	30	15	2.50
18000	0.018	29350B183J02	24	47	30	16	2.75
20000	0.020	29350B203J02	24	47	30	18	2.75
22000	0.022	29350B223J02	24	47	30	18	3.00
24000	0.024	29350B243J02	24	51	33	18	3.25
<b>8,000 Peak Volts</b>							
9100	0.009	29380B912J02	24	39	24	12	3.25
10000	0.010	29380B103J02	24	39	24	12	3.25
11000	0.011	29380B113J02	24	39	27	13	3.25
<b>10,000 Peak Volts</b>							
4700	0.0047	293100B472J02	22	27	18	8.2	2.75
5000	0.0050	293100B502J02	24	30	18	9.1	2.75
5100	0.0051	293100B512J02	24	30	18	9.1	2.75
5600	0.0056	293100B562J02	24	33	20	9.1	3.00
6000	0.0060	293100B602J02	24	33	20	10	3.00
6200	0.0062	293100B622J02	24	33	20	10	3.00

# 1.03 Mica Capacitors: Type 291-294

6800	0.0068	293100B682J02	24	33	20	10	3.00
7500	0.0075	293100B752J02	24	36	22	11	3.25
8000	0.0080	293100B802J02	24	36	22	11	3.25
8200	0.0082	293100B822J02	24	36	22	11	3.25
<b>12,000 Peak Volts</b>							
2200	0.0022	293120B222J02	20	20	12	5.6	2.50
2400	0.0024	293120B242J02	20	22	13	6.2	2.75
2700	0.0027	293120B272J02	20	22	13	6.2	2.75
3000	0.0030	293120B302J02	20	24	15	6.8	3.00
3300	0.0033	293120B332J02	22	24	15	6.8	3.00
3600	0.0036	293120B362J02	22	24	15	7.5	3.00
3900	0.0039	293120B392J02	22	27	16	7.5	3.00
4000	0.0040	293120B402J02	22	27	16	7.5	3.25
4300	0.0043	293120B432J02	22	27	16	8.2	3.25
<b>15,000 Peak Volts</b>							
1200	0.0012	293150B122J02	16	15	8.2	4.3	2.50
1300	0.0013	293150B132J02	16	15	9.1	4.3	2.50
1500	0.0015	293150B152J02	16	16	9.1	4.7	2.75
1600	0.0016	293150B162J02	18	18	10	4.7	2.75
1800	0.0018	293150B182J02	18	18	11	5.1	3.00
2000	0.0020	293150B202J02	18	20	11	5.6	3.00
<b>20,000 Peak Volts</b>							
47	0.000047	293200B470J02	5.1	2.2	0.5	0.1	2.50
50	0.000050	293200B500J02	5.1	2.4	0.5	0.2	2.50
51	0.000051	293200B510J02	5.1	2.4	0.5	0.2	2.50
56	0.000056	293200B560J02	5.6	2.4	0.6	0.2	2.50
62	0.000062	293200B620J02	5.6	2.7	0.7	0.2	2.50
68	0.000068	293200B680J02	5.6	2.7	0.8	0.2	2.50
75	0.000075	293200B750J02	6.2	3	0.9	0.3	2.50
82	0.000082	293200B820J02	6.2	3	1	0.3	2.50
91	0.000091	293200B910J02	6.8	3.3	1.1	0.4	2.50
100	0.00010	293200B101J02	6.8	3.6	1.3	0.5	2.50
110	0.00011	293200B111J02	7.5	3.9	1.5	0.5	2.50
120	0.00012	293200B121J02	7.5	4.3	1.6	0.6	2.50
130	0.00013	293200B131J02	7.5	4.3	1.8	0.7	2.50
150	0.00015	293200B151J02	8.2	4.7	2	0.8	2.50
160	0.00016	293200B161J02	8.2	5.1	2.2	0.9	2.50
180	0.00018	293200B181J02	9.1	5.1	2.4	1	2.50
200	0.00020	293200B201J02	9.1	5.6	2.7	1.1	2.50
220	0.00022	293200B221J02	9.1	6.2	3	1.2	2.50
240	0.00024	293200B241J02	10	6.2	3.6	1.3	2.50
250	0.00025	293200B251J02	10	6.2	6.8	1.3	2.50
270	0.00027	293200B271J02	10	6.8	3.6	1.5	2.50
300	0.00030	293200B301J02	10	6.8	3.9	1.6	2.50

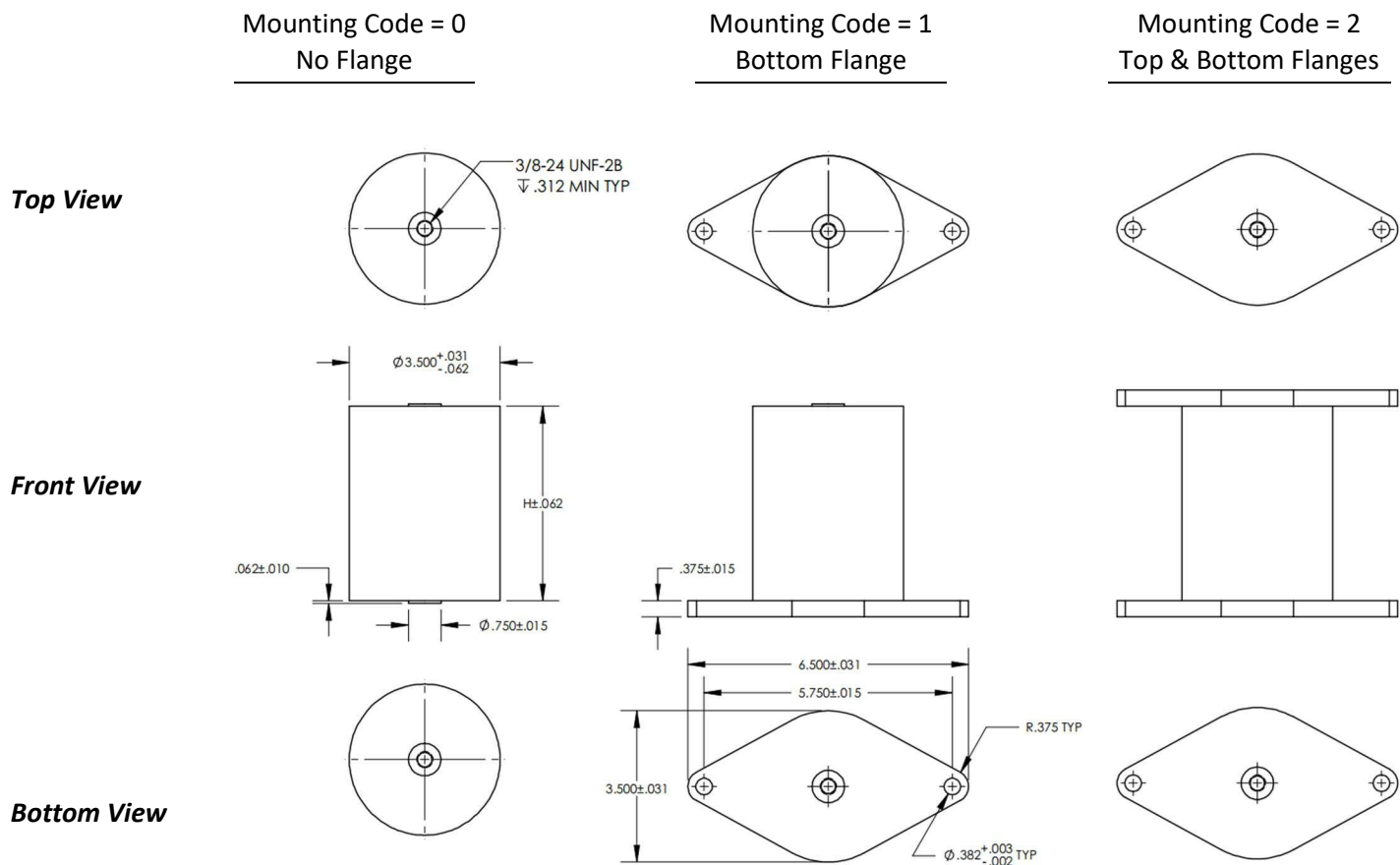
## 1.03 Mica Capacitors: Type 291-294

330	0.00033	293200B331J02	11	7.5	3.9	1.6	2.50
360	0.00036	293200B361J02	11	7.5	3.9	1.8	2.50
390	0.00039	293200B391J02	11	8.2	4.3	2	2.50
430	0.00043	293200B431J02	12	8.2	4.7	2.2	2.50
470	0.00047	293200B471J02	12	9.1	4.7	2.2	2.50
500	0.00050	293200B501J02	12	9.1	5.1	2.4	2.50
510	0.00051	293200B511J02	12	9.1	5.1	2.4	2.50
560	0.00056	293200B561J02	13	10	5.6	2.7	2.50
620	0.00062	293200B621J02	13	11	6.2	2.7	2.50
680	0.00068	293200B681J02	13	11	6.2	2.7	2.75
750	0.00075	293200B751J02	13	12	6.8	3	2.75
800	0.00080	293200B801J02	15	12	6.8	3.3	2.75
820	0.00082	293200B821J02	15	12	6.8	3.3	2.75
910	0.00091	293200B911J02	15	13	7.5	3.6	2.75
1000	0.0010	293200B102J02	15	13	7.5	3.6	2.75
1100	0.0011	293200B112J02	16	15	8.2	3.9	2.75

# 1.03 Mica Capacitors: Type 291-294

## 294 Series – Mounting and Dimensions

Please use the information provided below for mounting and installation. As noted in the part number, three mounting flange options exist. Please specify the correct flange style at time of ordering. Part numbers listed in the rating section are shown with mounting code 2. If alternate mounting methods are required, please specify the correct number at the time of order.



## 294 Series - Ratings and Standard Part Numbers

Last Digit in Part Number Shown with Top/Bottom Mounting Flanges. If alternate mounting is required, please specify at time of order.

Capacitance		KTL Part Number	Maximum AC Current at 65 °C				Case Height (In)
(pF)	(μF)		3 MHz (Amps)	1 MHz (Amps)	300 kHz (Amps)	100 kHz (Amps)	
<b>3,000 Peak Volts</b>							
82000	0.082	29430B823J02	30	62	43	39	5.00
91000	0.091	29430B913J02	30	62	43	39	5.00
100000	0.100	29430B104J02	30	62	43	39	5.00

# 1.03 Mica Capacitors: Type 291-294

4,000 Peak Volts							
68000	0.068	29440B683J02	30	56	39	36	5.00
75000	0.075	29440B753J02	30	62	43	36	5.00
5,000 Peak Volts							
33000	0.033	29450B333J02	30	56	39	27	4.50
36000	0.036	29450B363J02	30	56	39	30	4.50
39000	0.039	29450B393J02	30	56	39	30	5.00
40000	0.040	29450B403J02	30	56	39	30	5.00
43000	0.043	29450B433J02	30	56	39	30	5.00
47000	0.047	29450B473J02	30	56	39	30	5.00
51000	0.051	29450B513J02	30	56	39	33	5.00
56000	0.056	29450B563J02	30	56	39	33	5.00
62000	0.062	29450B623J02	30	56	39	33	5.00
6,000 Peak Volts							
18000	0.018	29460B183J02	30	51	36	22	4.00
20000	0.020	29460B203J02	30	51	36	24	4.00
22000	0.022	29460B223J02	30	51	36	24	4.00
24000	0.024	29460B243J02	30	56	39	27	4.50
27000	0.027	29460B273J02	30	56	39	27	4.50
30000	0.030	29460B303J02	30	56	39	27	5.00
8,000 Peak Volts							
12000	0.012	29480B123J02	30	43	30	20	4.50
13000	0.013	29480B133J02	30	47	30	20	4.50
15000	0.015	29480B153J02	30	47	33	20	5.00
16000	0.016	29480B163J02	30	47	33	22	5.00
10,000 Peak Volts							
10000	0.010	294100B103J02	30	43	30	18	5.00
11000	0.011	294100B113J02	30	43	30	18	5.00
12,000 Peak Volts							
8000	0.0080	294120B802J02	30	39	27	16	5.00
8200	0.0082	294120B822J02	30	39	27	16	5.00
9100	0.0091	294120B912J02	30	39	27	16	5.00
15,000 Peak Volts							
4300	0.0043	294150B432J02	27	30	20	11	4.50
4700	0.0047	294150B472J02	27	30	22	12	4.50
5000	0.0050	294150B502J02	27	33	22	12	4.50
5100	0.0051	294150B512J02	27	33	22	12	4.50
5600	0.0056	294150B562J02	27	36	22	13	5.00
6000	0.0060	294150B602J02	27	36	24	15	5.00
6200	0.0062	294150B622J02	27	36	24	15	5.00
6800	0.0068	294150B682J02	27	36	24	15	5.00
7500	0.0075	294150B752J02	30	36	27	16	5.00
20,000 Peak Volts							
2000	0.0020	294200B202J02	22	22	15	7.5	4.50

# 1.03 Mica Capacitors: Type 291-294

2200	0.0022	294200B222J02	22	24	15	8.2	4.50
2400	0.0024	294200B242J02	22	24	16	8.2	4.50
2700	0.0027	294200B272J02	22	24	16	9.1	5.00
3000	0.0030	294200B302J02	24	27	18	9.1	5.00
3300	0.0033	294200B332J02	24	27	18	10	5.00
3600	0.0036	294200B362J02	24	27	18	10	5.00
3900	0.0039	294200B392J02	24	30	20	11	5.00
4000	0.0040	294200B402J02	24	30	20	11	5.00
<b>25,000 Peak Volts</b>							
1100	0.0011	294250B112J02	18	18	11	5.6	4.50
1200	0.0012	294250B122J02	18	18	11	5.6	4.50
1300	0.0013	294250B132J02	18	18	12	6.2	4.50
1500	0.0015	294250B152J02	20	20	12	6.2	5.00
1600	0.0016	294250B162J02	20	20	13	6.8	5.00
1800	0.0018	294250B182J02	20	22	13	7.5	5.00
<b>30,000 Peak Volts</b>							
100	0.00010	294300B101J02	7.5	5.1	2	0.7	4.00
110	0.00011	294300B111J02	8.2	5.1	2.2	0.8	4.00
120	0.00012	294300B121J02	8.2	5.6	2.4	1	4.00
130	0.00013	294300B131J02	9.1	6.2	2.7	1.1	4.00
150	0.00015	294300B151J02	9.1	6.2	3	1.3	4.00
160	0.00016	294300B161J02	9.1	6.8	3.3	1.5	4.00
180	0.00018	294300B181J02	10	6.8	3.6	1.6	4.00
200	0.00020	294300B201J02	10	7.5	3.9	1.8	4.00
220	0.00022	294300B221J02	11	7.5	3.9	2	4.00
240	0.00024	294300B241J02	11	8.2	4.3	2	4.00
250	0.00025	294300B251J02	11	8.2	4.3	2	4.00
270	0.00027	294300B271J02	11	9.1	4.7	2.2	4.00
300	0.00030	294300B301J02	12	9.1	5.1	2.4	4.00
330	0.00033	294300B331J02	12	9.1	5.1	2.4	4.00
360	0.00036	294300B361J02	12	10	5.6	2.7	4.00
390	0.00039	294300B391J02	13	11	6.2	3	4.00
430	0.00043	294300B431J02	13	11	6.2	3	4.00
470	0.00047	294300B471J02	13	11	6.8	3.3	4.00
500	0.00050	294300B501J02	13	12	6.8	3.3	4.00
510	0.00051	294300B511J02	13	12	6.8	3.3	4.00
560	0.00056	294300B561J02	15	13	7.5	3.6	4.00
620	0.00062	294300B621J02	15	13	8.2	3.9	4.00
680	0.00068	294300B681J02	15	13	8.2	4.3	4.50
750	0.00075	294300B751J02	16	15	8.2	4.3	4.50
800	0.00080	294300B801J02	16	15	9.1	4.7	4.50
820	0.00082	294300B821J02	16	15	9.1	4.7	4.50
910	0.00091	294300B911J02	16	15	10	5.1	4.50
1000	0.00100	294300B102J02	18	16	10	5.1	4.50