



KINTRONIC LABS™

An ISO 9001 registered company

WEATHERPROOF - CLIMATE CONTROLLED RACK

Cooling & Heating



Fig. 1 Two-Door Painted



Optional Stand
Fig.2 Unpainted showing FM TX

24/7 all year round unattended Climate Controlled Rack

Painted P/N WPR-26-24-29-P

Unpainted P/N WPR-26-24-29

ENCLOSURE DIMENSIONS (W x D x H): **26" x 24" x 29"** (Custom Size is Available)

Optional: Aluminum Support Stand as shown in Fig. 2 are available.

Support Stand – Dimensions



Fig.3 Unfolded Support Stand

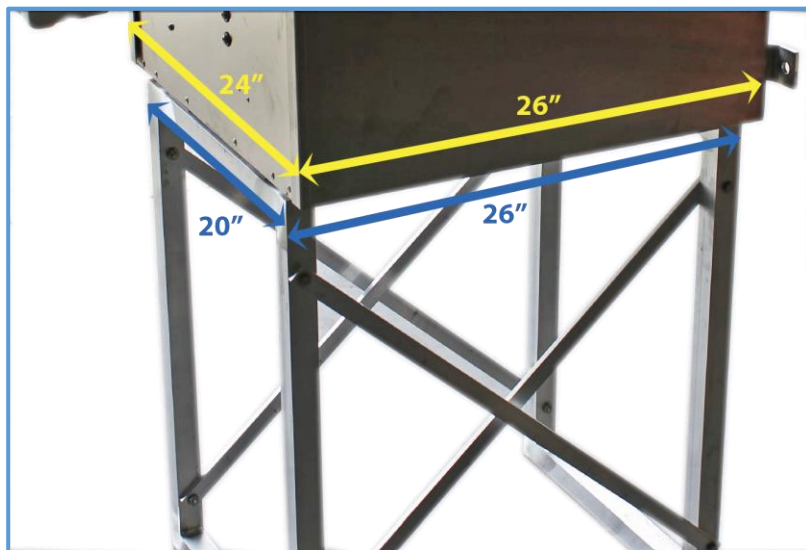


Fig.4 Support Stand dimensions

All outdoor rack enclosures manufactured by KINTRONIC are of heavy duty aluminum construction, NEMA 4 compliant and come standard with A/C and Heater including thermostatic controls for extreme heat or cold conditions.

5,000-BTU Air Conditioner automatically resumes operating at its previous settings when the power is restored to your unit.

Single housing with weatherproof top; weather sealed front and rear hinged doors.
19-inch rack rails and provisions for mounting on two vertical uprights.

A/C specifications	
Cooling BTU	5000
Energy Efficiency Ratio (E.E.R.)	11
Voltage (volts) [220 VAC is available upon request]	115
Power Watts (Cool) / Amps (Cool)	515 / 4.8
Low Voltage Compensation	Yes
Multi-Directional Air Control	2-way
Fan Only Option	Yes
Cooling Fan Speeds	2
Filter Type	Anti-bacterial mesh
UL Listed	Yes
Adjustable Thermostat	Yes
Sleep Mode (Controlled by main thermostat)	Yes
Temperature Control with Hysteresis Cycle	Digital
Hysteresis Threshold	Adjustable
Max. / Min. Temperature Setting (Factory preset)*	Adjustable
Automatically resumes operating when power is restored	Yes
Warranty (year)	1
HEATER specifications	
Voltage (volts)	120
Adjustable Thermostat	Yes
Sleep Mode (Controlled by main thermostat)	Yes
Temperature Control with Hysteresis Cycle	Digital
Hysteresis Threshold	Adjustable
Max. / Min. Temperature Setting (Factory preset)*	Adjustable
Automatically resumes operating when power is restored	Yes
Power (Watts)	500
Warranty (year)	1

* Refer to Figure 5.

Cooling / Heating - Hysteresis Cycles

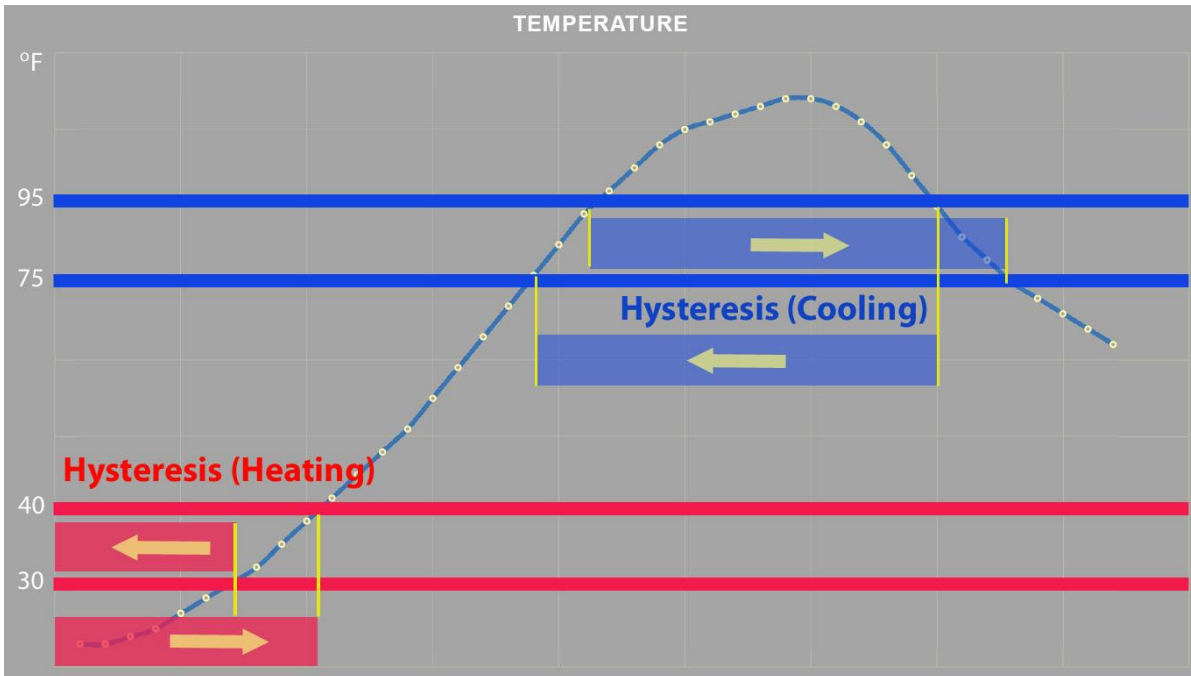


Fig. 5 Hysteresis – KTL factory settings

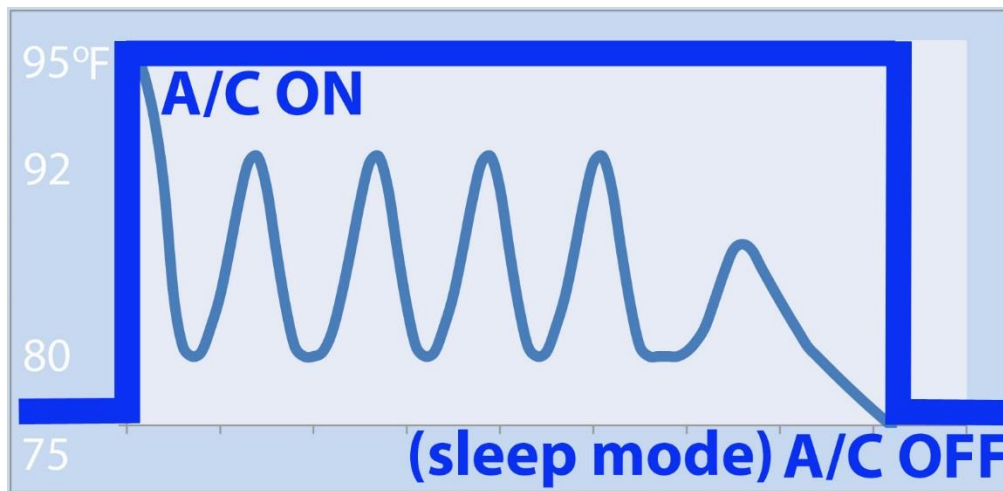


Fig. 6 A/C Manual Thermostat Settings



Fig. 7 A/C Thermostat Settings:

LoCool & Temperature Level 5.5

A/C Thermostat Settings

The A/C unit should be set on:

MODE: LoCool
TEMPERATURE SETTING: 5.5

Fig. 8 LPFM system installed in weatherproof rack

For additional information, please call KINTRONIC LABS, INC. at (423) 878-3141

Copyright © 2015-2018 Kintronic Labs, Inc.