

# POWER AIM 120

## Vector Impedance Analyzer for Broadcast Engineers

Manufactured by Array Solutions

Distributed Exclusively by Kintronic Labs to the Worldwide Broadcast Market

### The POWER AIM 120 Kit Includes:

- Watertight Carrying case w/ molded high density foam
- Battery pack
- Battery recharging unit
- Space for Laptop ( not included )
- Software with **FREE upgrades for the FIRST Year ( \$99.00 after )**

**PART #AS-PA120-15 (15"laptop)**

**\$2,995.00 plus S&H**

**NEW! AS-PA120-17 (17" Laptop)**

**\$3050.00 plus S&H**



### Additional options:

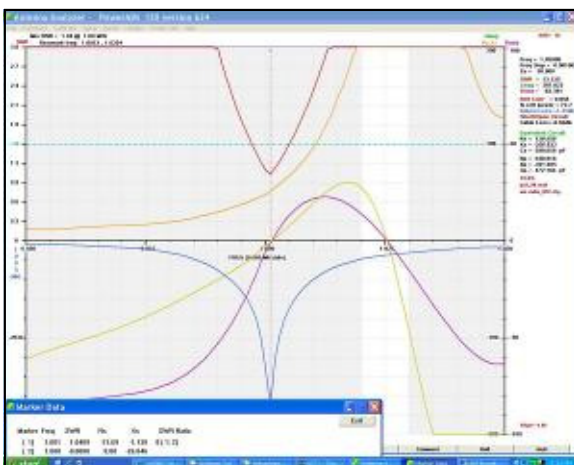
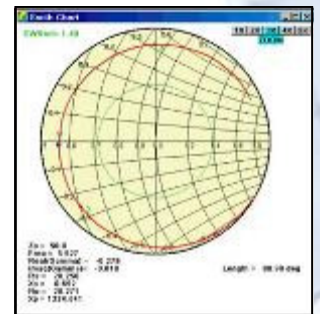
- **AS-RS232** – Male to Male DB9 Cable ( 6 ft )- **\$ 6.00**
- **PA-USB II** — Rugged/USB Serial Adaptor, including RS 232 Cable -**\$ 29.95**
- **PS-12R1A** - 12V DC 1 amp REGULATED Power supply, with global plug adaptors, for PowerMaster - 6ft cord with proper plug - RF quiet-**\$ 19.00**
- **AS-PLS-N** — Professional 0-500MHz Calibration Load Set- **\$120.00**
- **PA-USB-V** – VISTA USB/serial adapter, uses FTDI Chipset- **\$34.00**

### FREQUENCY MEASURING ::

- Single Port Swept Frequency Measurements of Antennae Operating in the 0.1-120 MHz Frequency Range, ( LF, MF, HF and FM Bands Included ).
- Set the Frequency Range of Measurement By Specifying Beginning and Ending Frequencies.

### IMPEDANCE MEASURING :

- Measure Impedance and SWR at the Input Connector or Translated to the End of a Coaxial Cable with a Pre-Specified Characteristic Impedance.
- Use as an Impedance Bridge /Receiver-Generator Utilizing an Internal Tone Generator to Adjust to a Pre-Specified Reactance or Impedance.
- Use to Measure the Impedance of an AM Radiator With Up to 50 Volts Peak To Peak RF Incident on the Tower on the Same Frequency. The Analyzer is Self Protected for an RF Overload Maximum Voltage of 100 Volts Peak to Peak.



### MORE FEATURES:

- Calibration Procedures Similar to that of a Network Analyzer Utilizing Open, Short and 50 Ohm Loads that are Supplied with the POWER AIM 120 Analyzer.
- Use to Measure the Electrical Length of a Transmission or Sample Line.
- **Save Time** -Use to Locate a Fault in the Transmission Line
- **Display Data** in a Linear Format or on One or More Smith Charts
- **Organize Data Files** by Saving, Printing or Importing into Spreadsheets

**TYPICAL IMPEDANCE & SWR VS. FREQUENCY LINEAR PLOTS**

# KINTRONIC LABS

P.O. BOX 845 BRISTOL, TN 37621

1.423.878.3141 FAX: 1.423.878.4224



[www.kintronic.com](http://www.kintronic.com)

# POWER AIM 120

Vector Impedance Analyzer for Broadcast Engineers

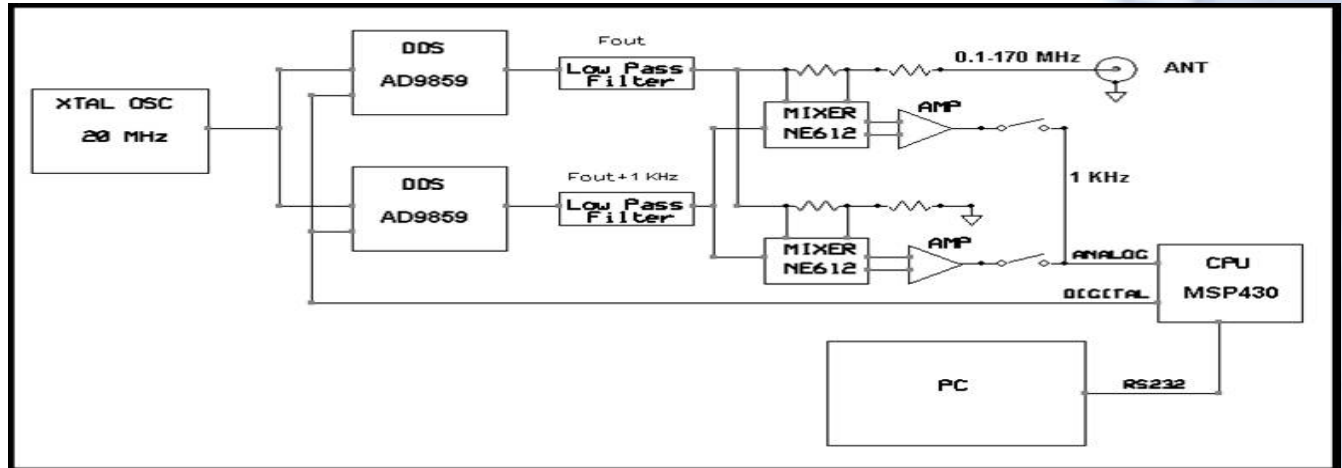
Manufactured by Array Solutions

Distributed Exclusively by Kintronic Labs to the Worldwide Broadcast Market

**UNIQUE FEATURE OF THE POWERAIM 120:**

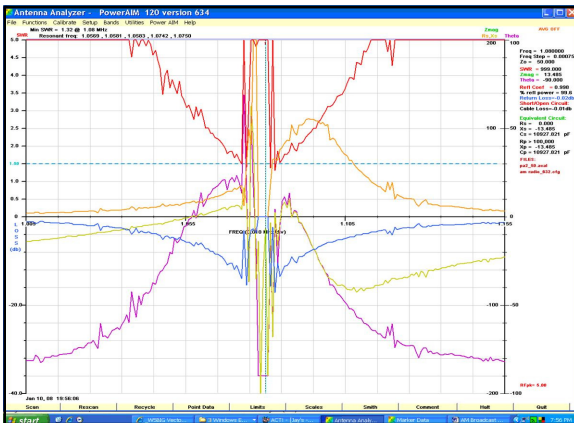
**STRONG CO-CHANNEL INTERFERENCE**

**- IMMUNITY -**



The PowerAIM 120 Incorporates The Following Averaging and Digital Signal Processing (DSP) Filters to Yield Strong Signal Immunity:

- Patented Signal Processing Circuitry
- Heterodyning Measurement and Band Pass Filters
- Higher Power Output
- Averaging Tools
- Trend Tools
- Smoothing Tools
- DSP Filtering Tools



**SAME CHANNEL INTERFERENCE**



**SAME CHANNEL INTERFERENCE DSP 2 ONLY**

**KINTRONIC LABS**

P.O. BOX 845 BRISTOL, TN 37621  
1.423.878.3141 FAX: 1.423.878.4224



[www.kintronic.com](http://www.kintronic.com)