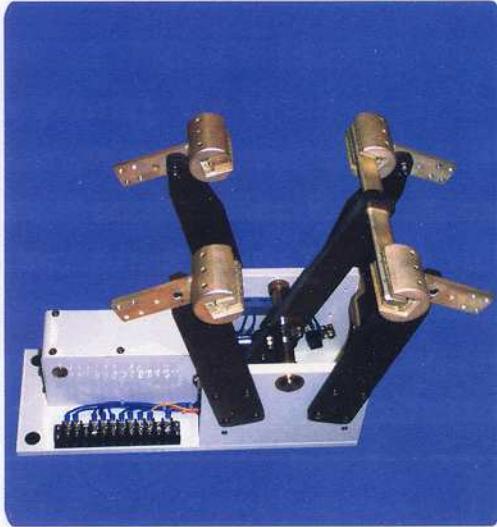
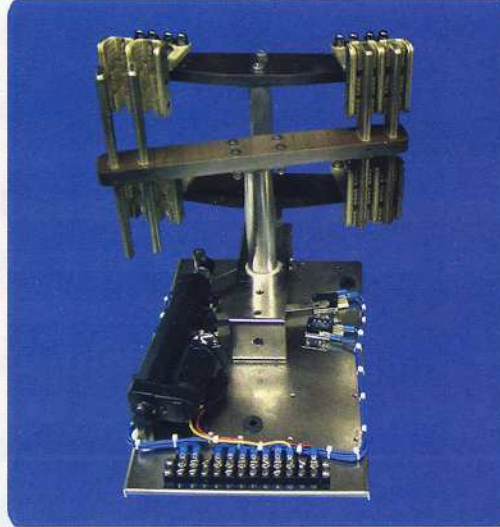




New From Kintronic Laboratories, Inc.



Model No. RFC-150L-55-1-110/220
Single Pole Double Throw
150 Amp, 55KV
Dims: 20" L X 14.75" H X 10" W

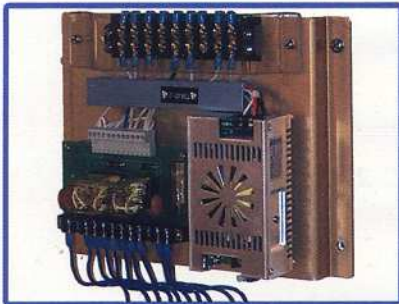


Model No. RFC-200L-30-1-110/220
Single Pole Double Throw
200 Amp, 30 KV
Dims: 14.25" L X 12.75" H X 12" W

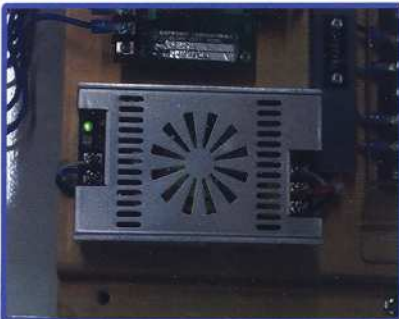


Model No. RFC-200L-80-1-110/220
Single Pole Double Throw
200 Amp, 80 KV
Dims: 25" L X 24" H X 17.5" W

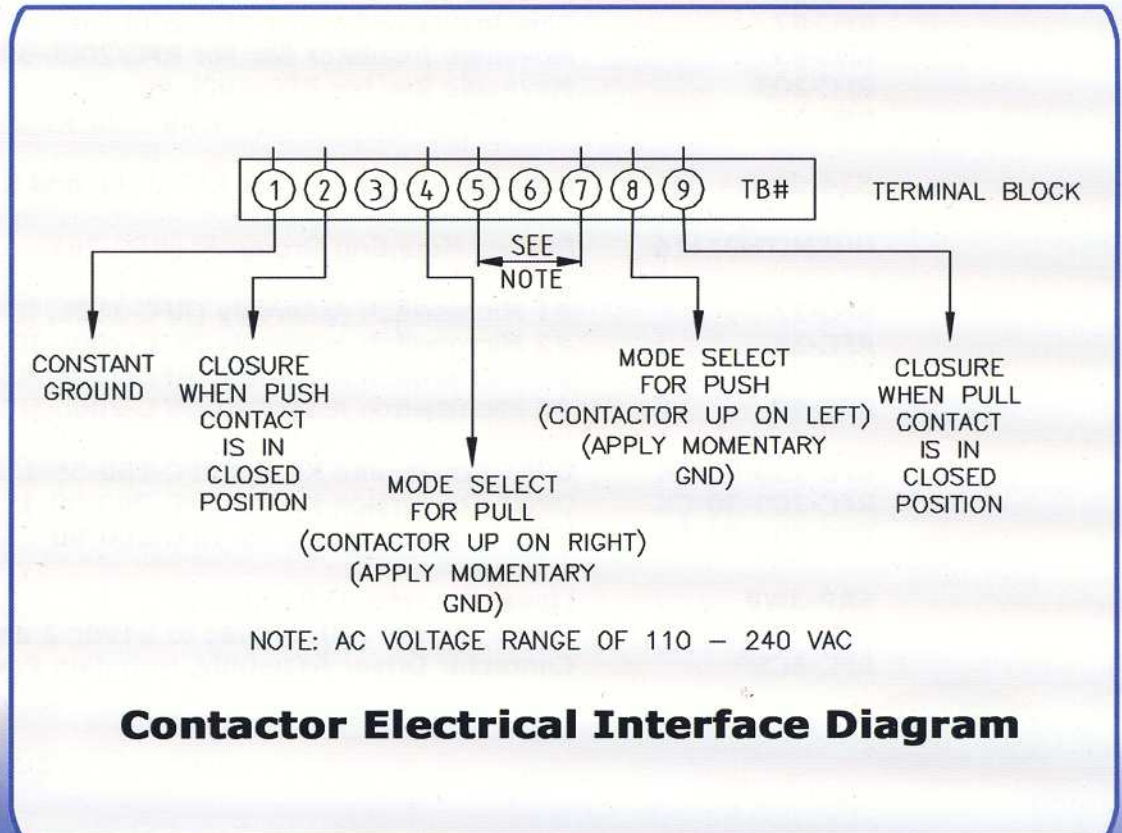
RF Linear Drive Contactors For High Power AM/MW Applications



Part No. RFC-ACSP
Contactor Driver
Assembly



Part No. MKS-75-24
Power Supply 110-240Vac
to 24Vdc 2 amp



RF Linear Drive Contactors For High Power AM/MW Applications

PRIMARY FEATURES:

- No Shock Or Vibration
- High Mean Time Between Failure
- Actuator Driver Board Includes Contactor Position Selection Switches
- Switching Time Less Than Or Equal To One Second
- Dry Closures For Position Sensing
- Simplicity In Design & Required Maintenance
- Operational Voltage: 110-240VAC, 50-60Hz

RF Contactor Replacement Parts

RFC-61	Finger Contact Holder For RFC 150L-55
RFC-80	Finger Contact Holder For RFC-200L-30
RFC-206	Finger Contact Holder For RFC-200L-80
RFC-03P	Spring Finger Contact
RFC-75P	Spring Finger Contact For RFC-150L (2 required per contact)
RFC-66	Side Insulator Bar For RFC-150L-55
RFC-68	Moveable Bar For RFC-150L-55
RFC-69	Contact Bar For RFC-150L-55
RFC-82	Side Insulator Bar For RFC-200L-30
RFC-83	Moveable Insulator Bar For RFC-200L-30
RFC-203	Moveable Bar For RFC-200L-80
RFC-207	Contact Bar For RFC-200L-80
S24-09A04-04	Actuator Linear 24V For RFC-150L and RFC-200L
HHSMITH91116	Rubber Mounting Grommet (RFC-26)
RFC-37	#1 Microswitch Assembly (RFC-150L, RFC-200L)
RFC-38	#2 Microswitch Assembly (RFC-200L-30)
RFC-39	#3 Microswitch Assembly (RFC-150L, RSC-200L)
RFC-40	#4 Microswitch Assembly (RFC-200L-30)
RFC-150-55-CK	DPST Conversion Kit For RFC-150-55-1
RFC-200-30-CK	DPDT Conversion Kit For RFC-200-30-1
RFC-200-80-CK	DPST Conversion Kit For RFC-200-80
SRP-3WP	Linear Actuator Driver Board
MKS-75-24	Power Supply 110-240Vac to 24Vdc 2 amp
RFC-ACSP	Contactor Driver Assembly, including Power Supply



Kintronic Labs, Inc.

**Kintronic Laboratories, Inc. • PO Box 845 • Bristol, TN 37621
423.878.3141 fax 423.878.4224 Email: ktl@kintronic.com www.kintronic.com**